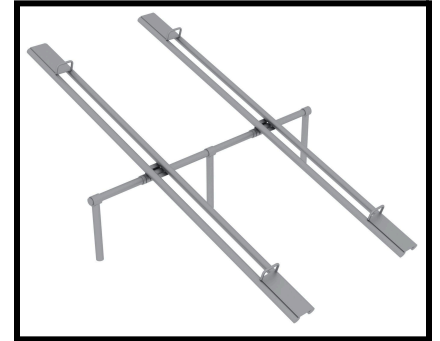




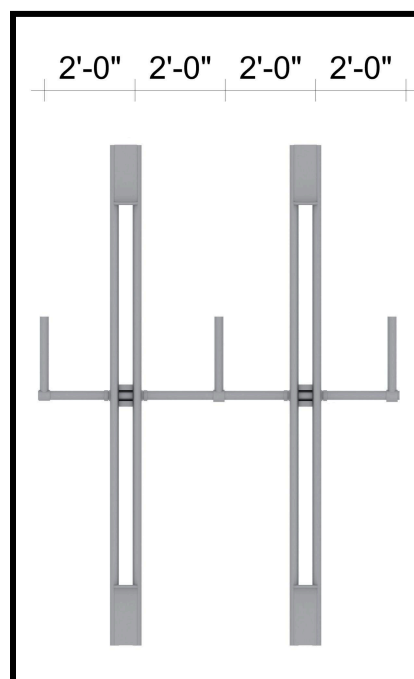
Installation Instructions

TTSR20-P

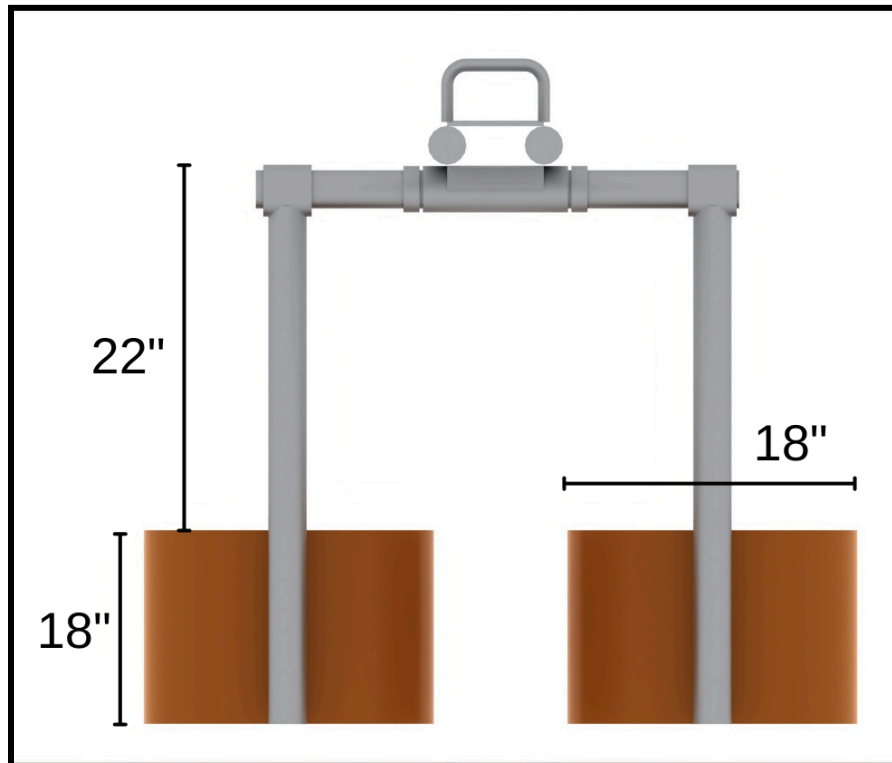


Ground Space: 10'6" x 8'
Minimum Play Space: 14'6" x 12'

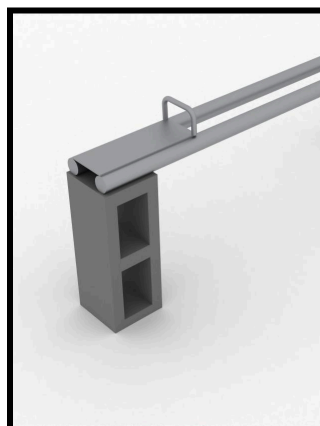
1. Insert plastic plugs into each end of the 96" x 2 $\frac{3}{8}$ " cross piece.
2. Place the teeter totters upside down on the ground. Slide the cross piece through the teeter totters with a retaining ring on each side of each teeter totter, as well as the legs, according to the diagram below. The retaining rings should be almost touching each side of the teeter totter pivot sleeve, thus allowing free vertical movement of the teeter totter while preventing horizontal movement along the cross piece.



3. Once all pieces are equally spaced, insert and tighten all $\frac{3}{8}$ " x $\frac{3}{8}$ " set screws.
4. Determine the location where you want the teeter totter and mark where the holes will be. Move the teeter totter assembly to the side.
5. Dig the two holes 18" deep and 18" in diameter.



6. Place teeter totter assembly into the holes and support it with cinder blocks or lumber so that the legs dangle just above the bottom of the holes.



7. Level and plum the legs.
8. Mix and pour cement. Each hole will take approximately two 80 lb bags of concrete.
9. Allow the cement to cure for at least 3-5 days before removing supports and before anyone plays on the teeter totter.