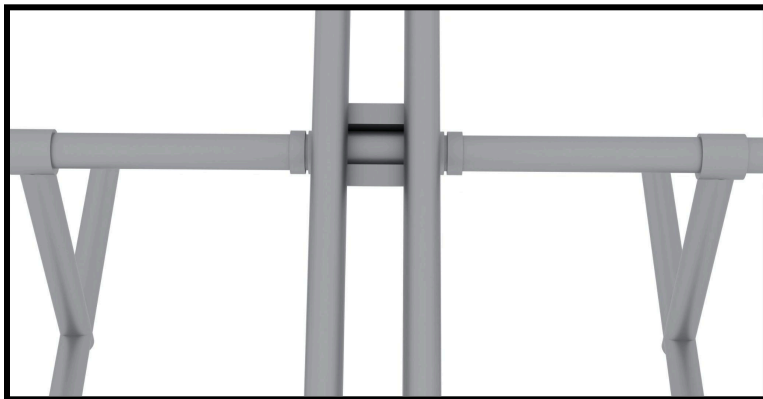
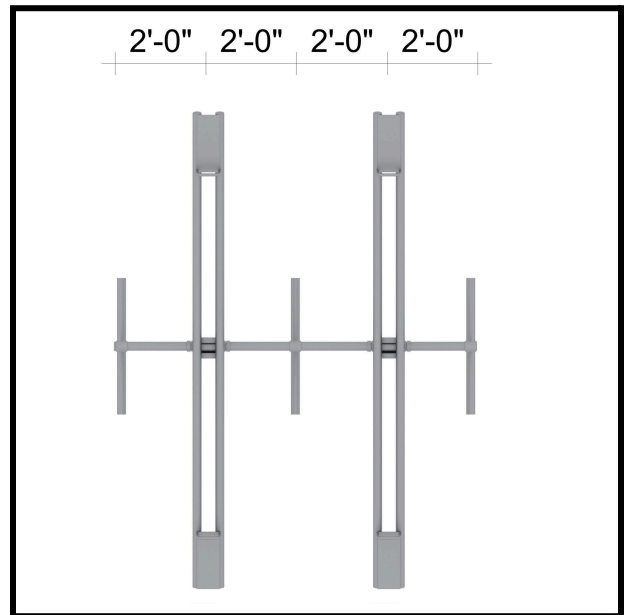
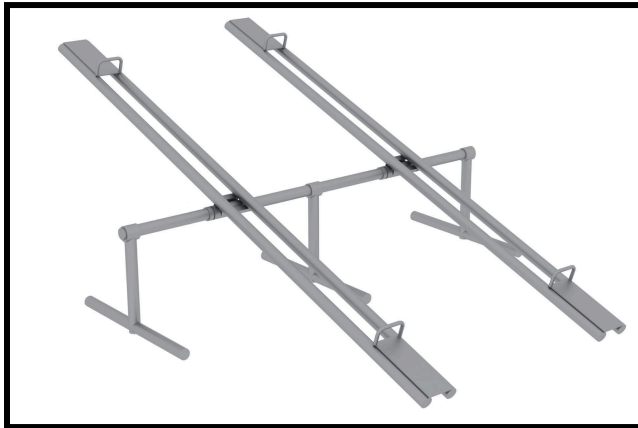




Installation Instructions

TTSR20-FS



1. Slide the teeter totters, retaining rings, and legs onto the 96" x 2 ³/₈" cross bar according to the images above.
2. Slide a retainer ring onto each side of the teeter totters. Secure each one with a ³/₈" x ³/₈" set screw. Tighten as hard as you can, but do not use power tools for this.
3. Secure each leg with two ³/₈" x ³/₈" set screws. Tighten as hard as you can, but do not use power tools for this.