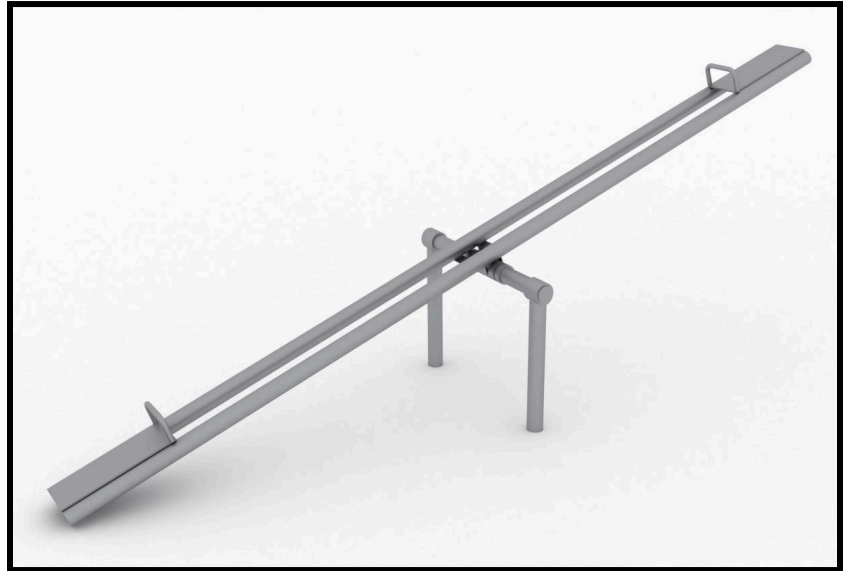




# Installation Instructions

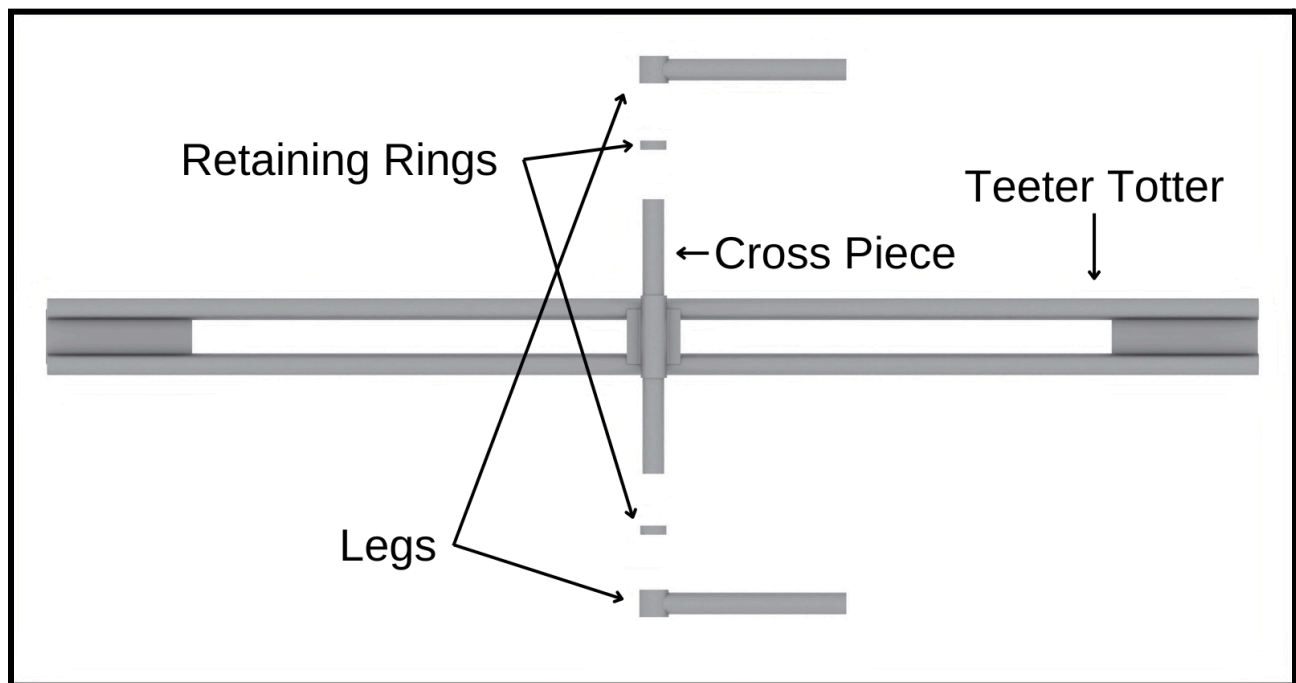
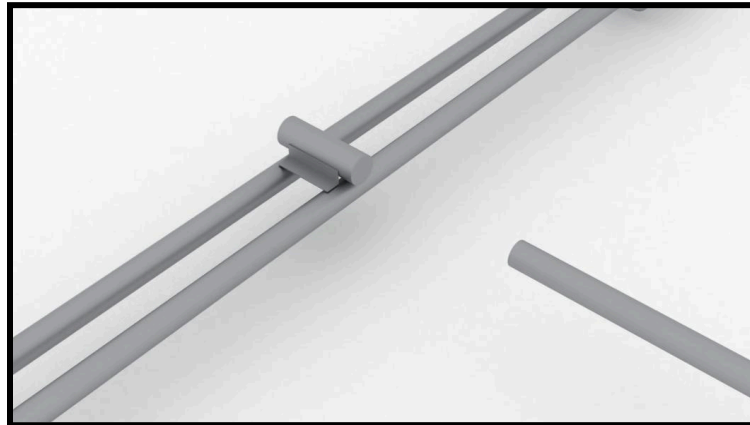
## TTSR10-P

Ground Space: 10'6" x 2'6"  
Minimum Play Space: 14'6" x 6'6"



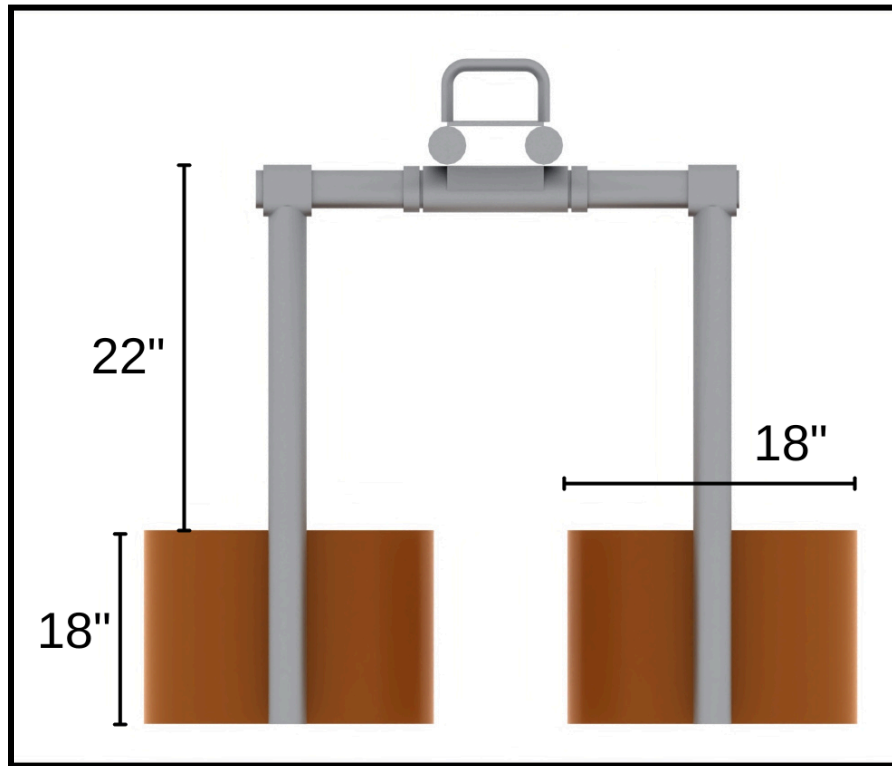
1. Insert plastic plugs into each end of the 30" x 2 <sup>3</sup>/<sub>8</sub>" cross piece.
2. Using a tape measure and marker, mark the position of the teeter totter along the cross piece, so that there is equal space on both sides.
3. Place the teeter totter upside down on the ground. Slide the cross piece through the teeter totter, followed by the retaining rings. They should be almost touching each side of the teeter totter pivot sleeve, thus allowing free vertical movement

of the teeter totter while preventing horizontal movement along the cross piece.

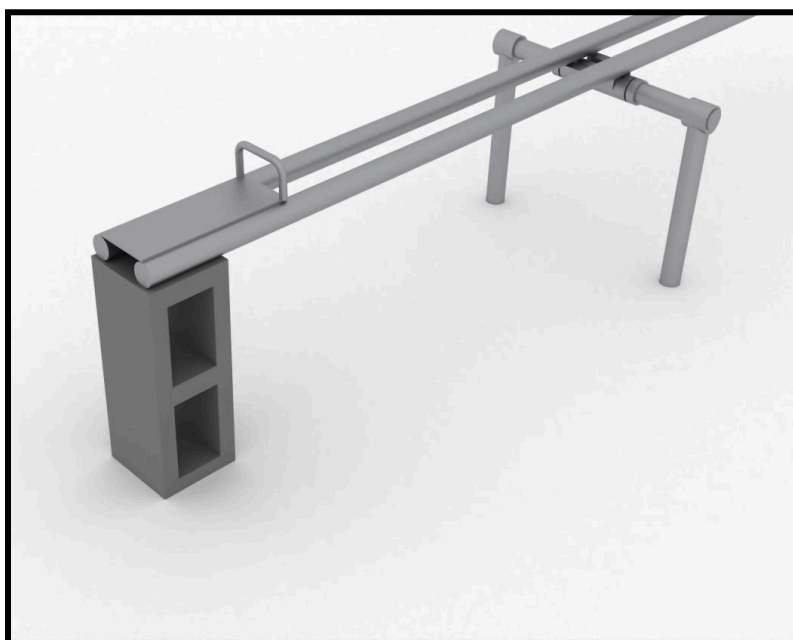


4. Next, place a leg on each end of the cross piece, flush at the ends. Once all pieces are equally spaced, insert and tighten all  $\frac{3}{8}$ " x  $\frac{3}{8}$ " set screws.
5. Determine the location where you want the teeter totter and mark where the holes will be. Move the teeter totter assembly to the side.

6. Dig the two holes 18" deep and 18" in diameter.



7. Place teeter totter assembly into the holes and support it with cinder blocks or lumber so that the legs dangle just above the bottom of the holes.



8. Level and plum the legs.
9. Mix and pour cement. Each hole will take approximately two 80 lb bags of concrete.
10. Allow the cement to cure for at least 3-5 days before removing supports and before anyone plays on the teeter totter.