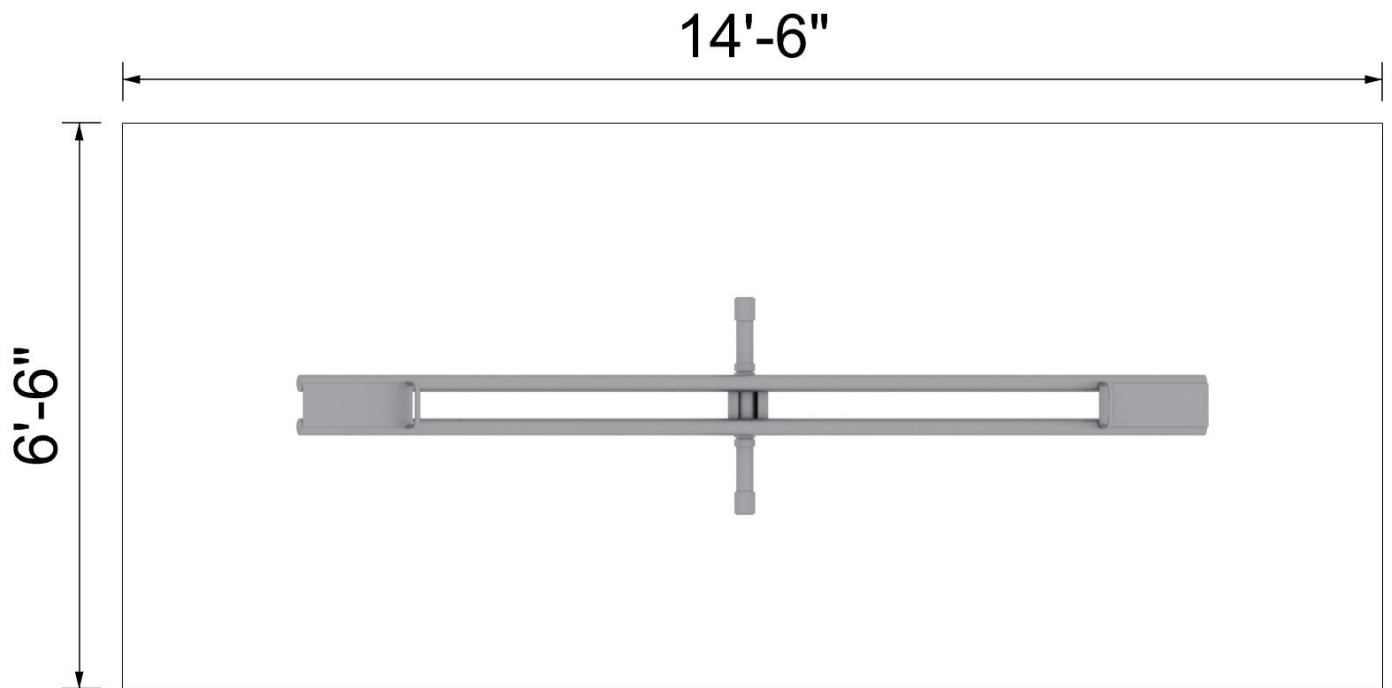


TTSR10-P At-A-Glance



Feature	TTSR10-P
Product Length	10'6"
Ground Space	2'6" x 10'6"
Minimum Play Space	6'6" x 14'6"
Estimated Install Time	2 Hours
Estimated Cement	4 Bags (80 lbs each)