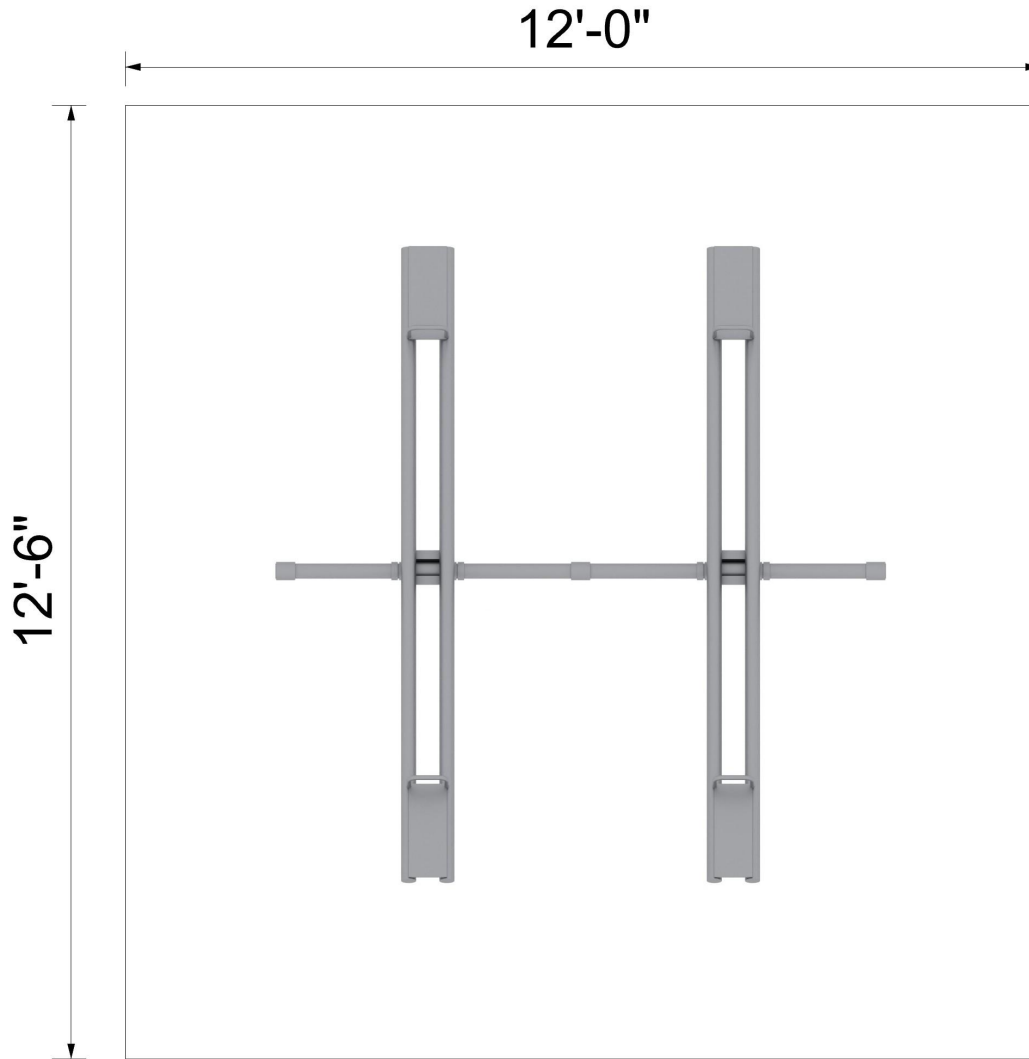


TTJR20-P At-A-Glance



Feature	TTJR20-P
Product Length	8'6"
Ground Space	8' x 8'6"
Minimum Play Space	12' x 12'6"
Estimated Install Time	2.5 Hours
Estimated Cement	6 Bags (80 lbs each)