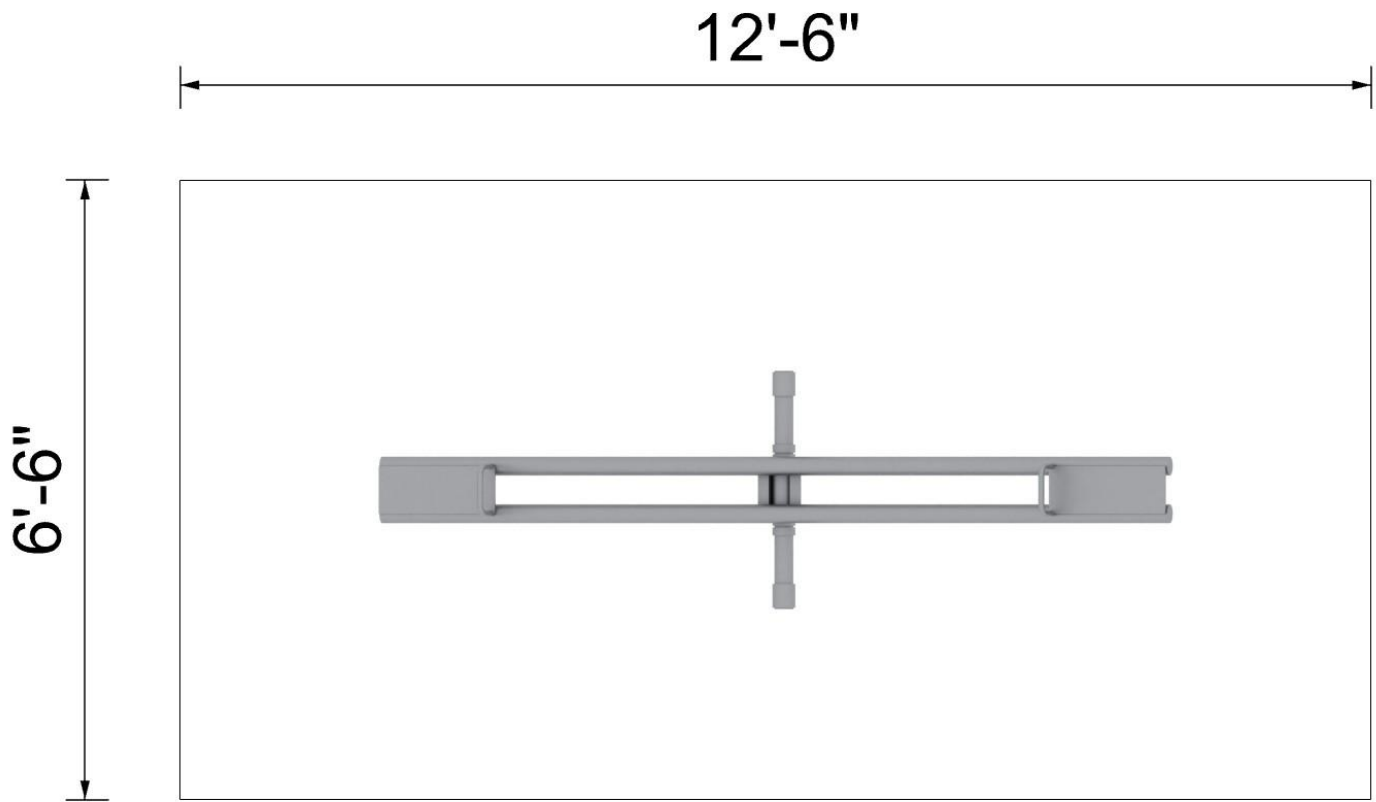


# TTJR10-P At-A-Glance



Feature	TTJR10-P
Product Length	8'6"
Ground Space	2'6" x 8'6"
Minimum Play Space	6'6" x 12'6"
Estimated Install Time	2 Hours
Estimated Cement	4 Bags (80 lbs each)