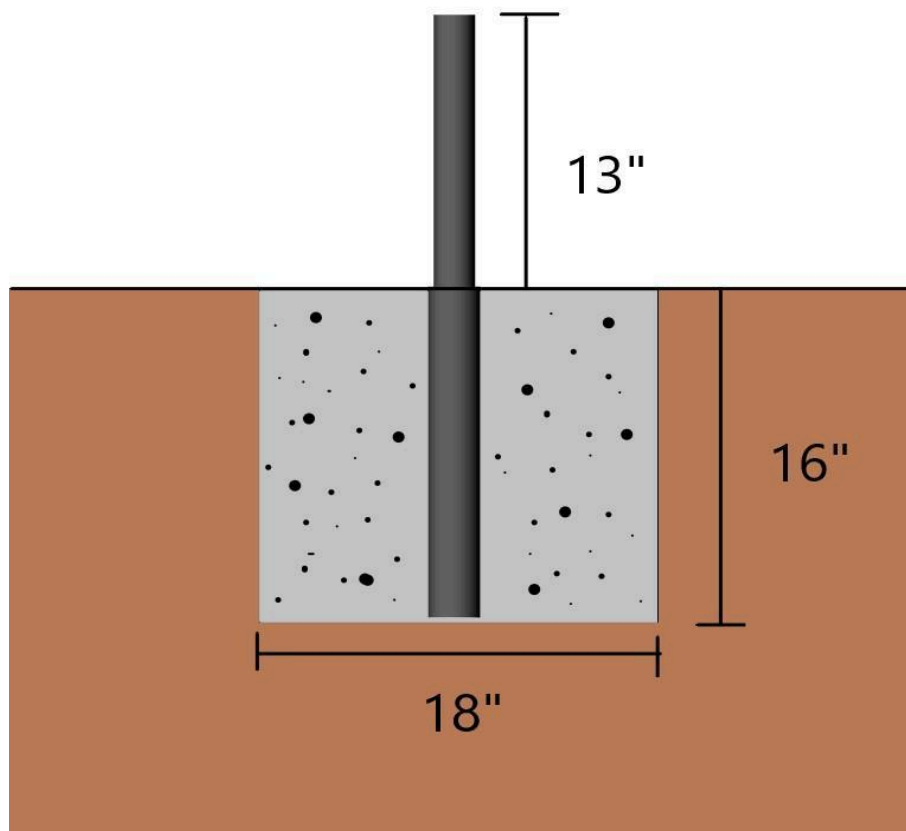




ROCKY MOUNTAIN PLAYGROUNDS

Tetherball Pole Installation Instructions



1. Locate where you would like to install the tetherball pole
2. Dig a hole 18" in diameter and 16" deep
3. Place ground sleeve in hole (ground sleeve is a 2 $\frac{3}{8}$ " x 16" pole with a 1 $\frac{7}{8}$ " pole sticking out 13" on one side). Place the 2 $\frac{3}{8}$ " side down into the hole. The 1 $\frac{7}{8}$ " pipe should be 13" above ground level.
4. Mix approximately two 80lb bags of concrete mix and pour into hole around the ground sleeve. **IMPORTANT:** make sure the ground sleeve is level before, during, and after pouring the concrete.
5. Allow concrete to set and dry (approximately 72 hours).

6. Once the concrete has set, take the 8'8" tetherball pole and sleeve it onto the ground sleeve.
7. Secure the tetherball pole to the ground sleeve using the 6 included set screws. There are 3 pre-drilled holes 12" from the bottom of the pole, and 3 holes 3 1/2" from the bottom of the pole. Make sure they are really tight, but do not use power tools to do so. Hand-tightening will be sufficient. To ensure that the pole will sit flush on the ground sleeve, tighten each set screw equally.
8. Tie the end of the rope of the tetherball to the carabiner and attach the carabiner to the end of the chain at the top of the tetherball pole. Tie the rope so that when hanging, the tetherball is 3' above the ground.

Note: We recommend bringing the tetherball and rope inside after play to lengthen life from effects of weathering.

